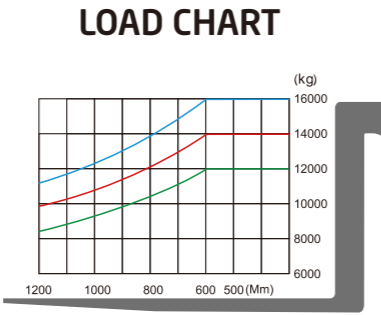
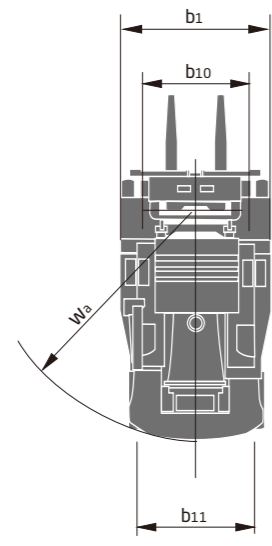
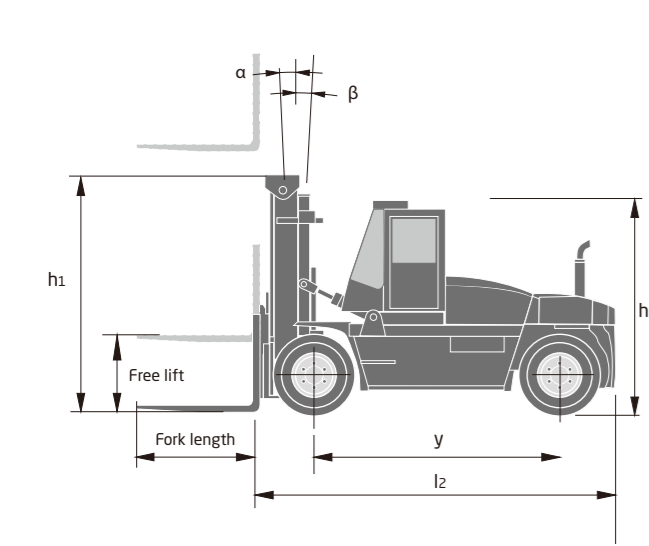


Heavy IC Forklift Truck

		HANGCHA GROUP CO.,LTD.										
Distinguishing mark	1.1	Manufacturer										
	1.2	Manufacturer's type designation										
	1.3	Drive: electric (battery or mains), diesel, petrol, fuel gas										
Rated capacity/rated load	1.4	Operator type: hand, pedestrian, standing, seated, order-picker										
	1.5	Q (kg)	12000	12000	12000	14000	14000	14000	16000	16000	16000	
	1.6	c (mm)	600	600	900	600	600	600	600	600	600	
	1.8	x (mm)	760	760	785	785	785	785	805.5	805.5	805.5	
Weight	1.9	y (mm)	3000	3000	3100	3100	3100	3100	3100	3100	3100	
	2.1	Service Weight	kg	15600	15600	15600	17600	17600	17600	19200	19200	19200
	Tyres, chassis											
Dimensions	3.1	Tyres: solid rubber, superelastic, pneumatic, polyurethane										
	3.2	Tyre size, front										
	3.3	Tyre size, rear										
	3.6	Tread, front										
	3.7	Tread, rear										
	4.1	Tilt of mast/fork carriage forward/backward										
	4.2	Height, mast lowered										
	4.4	Lift										
	4.7	Height of overhead guard (cabin)										
	4.19	Overall length										
	4.20	Length to face of forks										
	4.21	Overall width										
Performance Data	4.22	Fork dimensions ISO 2331										
	4.25	Distance between fork-arms										
	4.31	Ground clearance, laden, below mast										
	4.32	Ground clearance, centre of wheelbase										
	4.35	Turning radius										
	5.1	Travel speed, laden/unladen										
	5.2	Lift speed, laden/unladen										
	5.5	Drawbar pull, laden/unladen										
	5.7	Gradeability, laden/unladen										
	5.10	Service brake										
Combustion-engine	7.1	Engine manufacturer/type										
	7.2	Emission STD										
	7.3	Rated speed										
	7.4	Number of cylinders/displacement										
	7.10	Battery voltage/nominal capacity										
	Rated torque		N.m/r/min		650/1600		731/1500		841/1500		650/1600	
	Bore x stroke		mm		105x125		107x124		105x125		107x124	
	Stage		FWD/RV5		2/1		2/1		2/1		2/1	
	Addition data	10.1	Operating pressure for attachments									
		bar	200	200	200	200	200	200	200	200	200	200



12.0-16.0t Forklift Mast Specification

Type	Model	Mast fork height	Overall height		Tilt range		Capacity	
			Lowered	Extended	FWD	RWD	load capacity at 600mm	
							Without backrest	
mm			mm		(^)		kg	
GX120MX	GX120M300	3000	3180	4695	6	12	12000	12000
	GX120M330	3300	3330	4995	6	12	12000	12000
	GX120M360	3600	3480	5295	6	12	12000	12000
	GX120M400	4000	3680	5695	6	12	12000	12000
	GX120M430	4300	3880	6030	6	6	12000	12000
	GX120M450	4500	3980	6230	6	6	12000	12000
	GX120M480	4800	4130	6530	6	6	12000	12000
	GX120M500	5000	4230	6730	6	6	12000	12000
	GX120M550	5500	4530	7280	3	6	10000	9000
	GX120M600	6000	4780	7780	3	6	9000	14000
GX140MX	GX140M300	3000	3270	4770	6	12	14000	14000
	GX140M330	3300	3420	5070	6	12	14000	14000
	GX140M360	3600	3570	5370	6	12	14000	14000
	GX140M400	4000	3770	5770	6	12	14000	14000
	GX140M430	4300	3970	6120	6	12	14000	14000
	GX140M450	4500	4070	6320	6	12	14000	14000
	GX140M480	4800	4220	6620	6	6	14000	14000
	GX140M500	5000	4320	6820	6	6	14000	14000
	GX140M550	5500	4620	7370	3	6	12000	11000
	GX140M600	6000	4870	7870	3	6	11000	16000
GX160MX	GX160M300	3000	3290	4790	6	12	16000	16000
	GX160M330	3300	3440	5090	6	12	16000	16000
	GX160M360	3600	3590	5390	6	12	16000	16000
	GX160M400	4000	3790	5790	6	12	16000	16000
	GX160M430	4300	3990	6140	6	12	16000	16000
	GX160M450	4500	4090	6340	6	12	16000	16000
	GX160M480	4600	4240	6640	6	6	16000	16000
	GX160M500	4800	4340	6840	6	6	16000	16000
	GX160M550	5000	4640	7390	3	6	14000	14000
	GX160M600	6000	4890	7890	3	6	12500	12500



Heavy IC Forklift Truck

with capacities of 12,000 to 16,000kg



ZHEJIANG HANGCHA IMP. & EXP. CO., LTD.

Factory site: 666 Xiangfu Road,
Hangzhou, Zhejiang, China (311305)

Tel: +86-571-88926735 88926755
Fax: +86-571-88926789 88132890

sales@hcforklift.com
www.hcforklift.com



Follow us on Facebook



Follow us on YouTube



Follow us on WeChat



ISO14001:2015



ISO9001:2015



HANGCHA trucks conform to the European Safety Requirements.

2018 VERSION-4COPYRIGHT 2018/10

HANGCHA GROUP CO., LTD. reserves the right to make any changes without notice concerning colors, equipment, or specifications detailed in this brochure, or to discontinue individual models. The colors of trucks, delivered may differ slightly from those in brochures.

The World of Hangcha



Heavy IC Forklift Truck

Environment/
Efficiency/
Economy



Drive Axle

/ Made in China, HANGCHA-customized, heavy-duty master reducer, pneumatic brake system.

Gear-box

/ Imported gear-box, multi-stage torque converter, big converter ratio, wide range of auto-adjust speed; stable and smooth shift, 2 stage forward and 1 stage backward, easy operation and maintenance.

Steering System

/ HANGCHA-made crosswise steering axle; The steering with load sensor and adjustable steering device make the operation easily.

Hydraulic System

/ Multi-hydraulic valve make it easy to operate. Load sensor hydraulic system, dual pumps supply, dynamic load sensor priority valve, reduce power consumption, lower the hydraulic oil temperature.

Chassis

/ The combined chassis structure provide the high intensity and low weight feature, increase the cooling area of the oil tank greatly.

Power System

/ The customer can choose Cummins turbo 6 cylinder engine or Yuchai engine which according with the GB3 Emission Regulation, high performance, low oil consumption, low speed with high torque, great capacity cooler.

Brake System

/ Adopt auto parts, air braking system improves the comfort also reduce the pollution cause by oil leakage.

Lifting Assembly

/ Wide view mast provide great operator visibility; Dual limited speed valves increase the safety; Distance between forks can be adjusted manually is the standard feature, customer can choose fork positioner or sidershifter.

Overhead Guard

/ Full suspension overhead guard connected the chassis with 4 pivots using the rubber; Tilted structure is easy for maintenance; Smaller column and steering wheel increase the operator space.

Electrical System

/ The instrument show all information about the forklift; it will sound alert when low brake pressure or non-lease parking brake.

Standard Specification

- / Hour meter
- / Overhead guard
- / Full hydraulic power steering
- / Wide view duplex mast
- / Standard forks
- / Pneumatic tyre
- / Toolbox
- / Cabin with heater and air conditioner (Only for W79)

Options

- / 2.5-6.0m duplex mast
- / Special carriage and backrest
- / Solid tyre
- / Heater and air conditioner
- / Other dimension forks
- / Other attachment
- / Fire extinguisher
- / Suspension seat
- / Dual air cleaner or special air cleaner
- / Rear working light
- / Customer painting
- / Cab
- / Hydraulic positioner

